

WALL FIXTURE

QUESTIONS OR CONCERNS CONTACT CANARM AT:

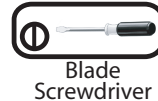
1-800-265-1833 (English) 1-800-567-2513 (French)

Monday through Friday 8:00 AM to 5:00 PM E.S.T.

TOOLS AND MATERIALS REQUIRED:



"INSTRUCTIONS PERTAINING TO RISK OF FIRE OR INJURY TO PERSONS"
"READ ALL INSTRUCTIONS"
"IMPORTANT SAFETY INSTRUCTIONS"
"SAVE THESE INSTRUCTIONS"

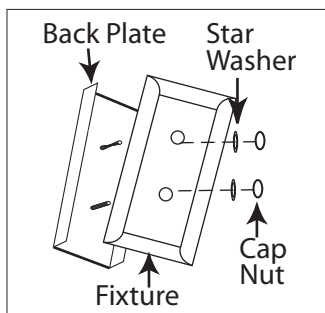


SAFETY PRECAUTIONS:

1. TURN OFF ELECTRICAL POWER BEFORE STARTING INSTALLATION OF LIGHT FIXTURE.
2. THIS PRODUCT MUST BE INSTALLED IN ACCORDANCE WITH THE APPLICABLE INSTALLATION CODE BY A PERSON FAMILIAR WITH THE CONSTRUCTION AND OPERATION OF THE PRODUCT AND THE HAZARDS INVOLVED.
3. CONNECT THE GROUND WIRES (BARE COPPER OR GREEN) FROM YOUR FIXTURE TO THE GROUND WIRE (BARE COPPER OR GREEN) OR GROUND SCREW IN THE ELECTRICAL OUTLET BOX.

INSTALLATION:

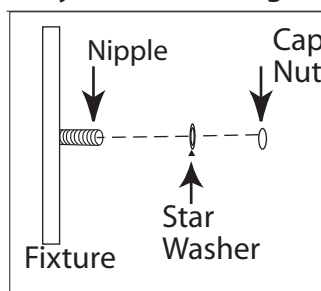
NOTE: Product May Not Look Exactly As Shown In Figures.



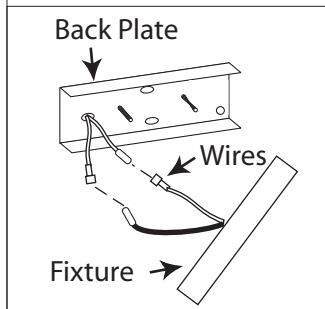
Note: Determine desired mounting option prior to proceeding with installation.

Option#1- Hard-wire

1. Remove the back plate from the fixture by unscrewing cap nuts and star washers.

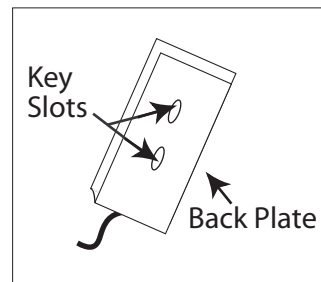


7. Tuck electrical wires into outlet box and position fixture over studs or nipple on mounting bracket assembly. Secure fixture in place with star washer(s) and cap nut(s). Proceed to step 8.



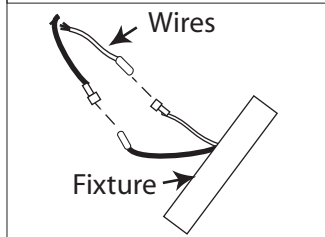
2. Disconnect the male and female wires on the backplate and discard backplate wire assembly.

3. Connect the male and female wire from the fixture to the male and female wires in the hardware package.



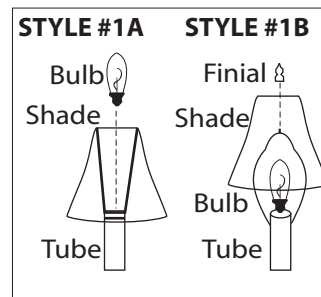
Option#2- Cord and Plug

1. Mount pre-assembled fixture to wall using key slots on back plate and plug into outlet. Proceed to step 8.



4. Loosen "B". Adjust stud to desired length and lock in place with "B".

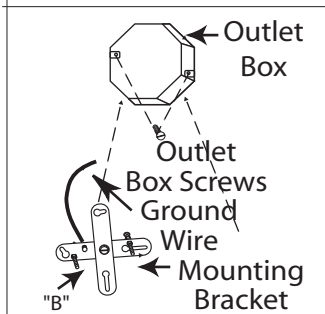
5. Attach ground wire on mounting bracket assembly to outlet box ground screw. Mount the mounting bracket to outlet box using outlet box screws. Make sure the studs on the mounting bracket are facing out from the outlet box.



8. **Note:** Refer to the style of assembly that matches the style of your fixture. If your fixture has shades,

Style #1A - Place shade on tube, then install proper bulb type and wattage.

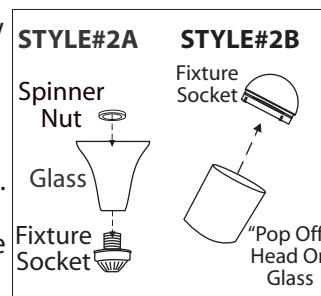
Style #1B - Install proper bulb type and wattage, shade then finial.



6. Connect the ground wires (bare copper or green) from your fixture to the ground wire (bare copper or green) or ground screw in the electrical outlet box.

Connect black wire from fixture to black wire in outlet box and connect the white wire from fixture to white wire in outlet box.

Note: Do not disconnect wires that are already connected on the light.



Style#2A - Remove spinner nut from socket. Position glass on the fixture and secure with spinner nut. Install proper bulb type and wattage.

Style#2B - Snap "pop off" head or glass onto fixture (push, or push and turn). Install proper bulb type and wattage.

